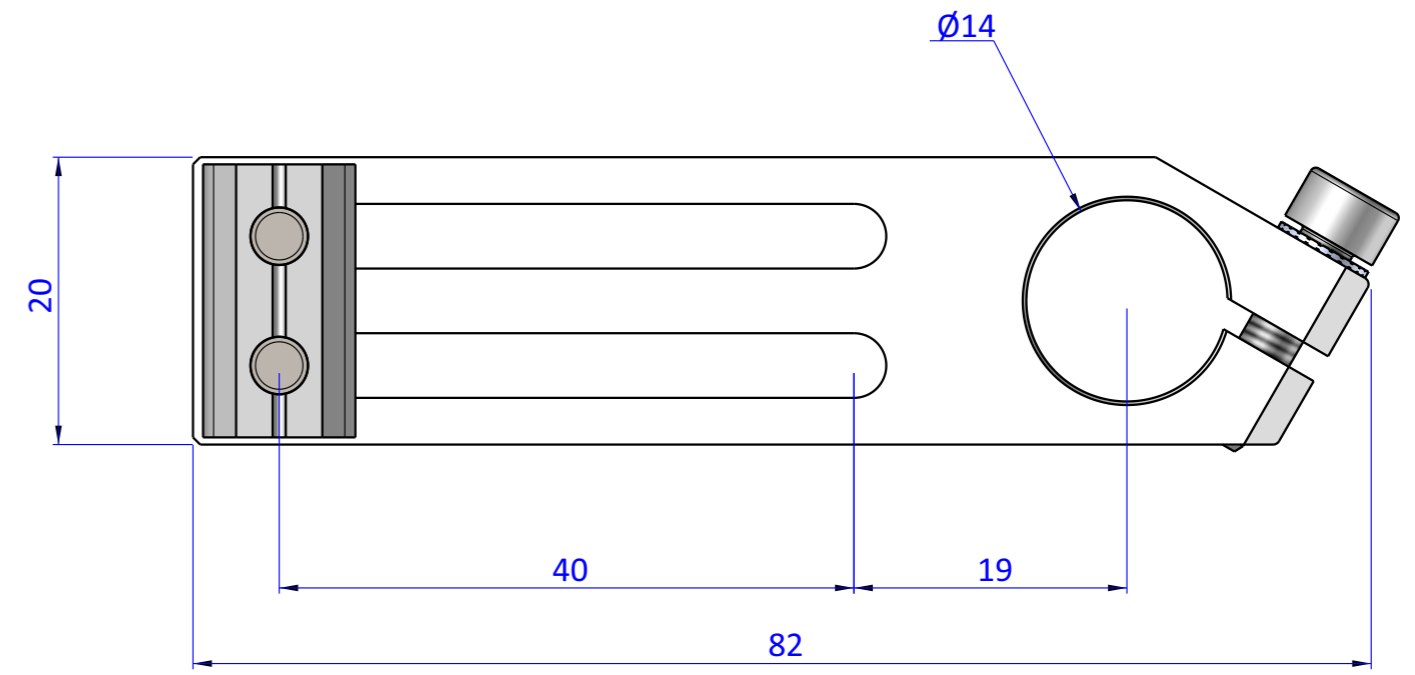
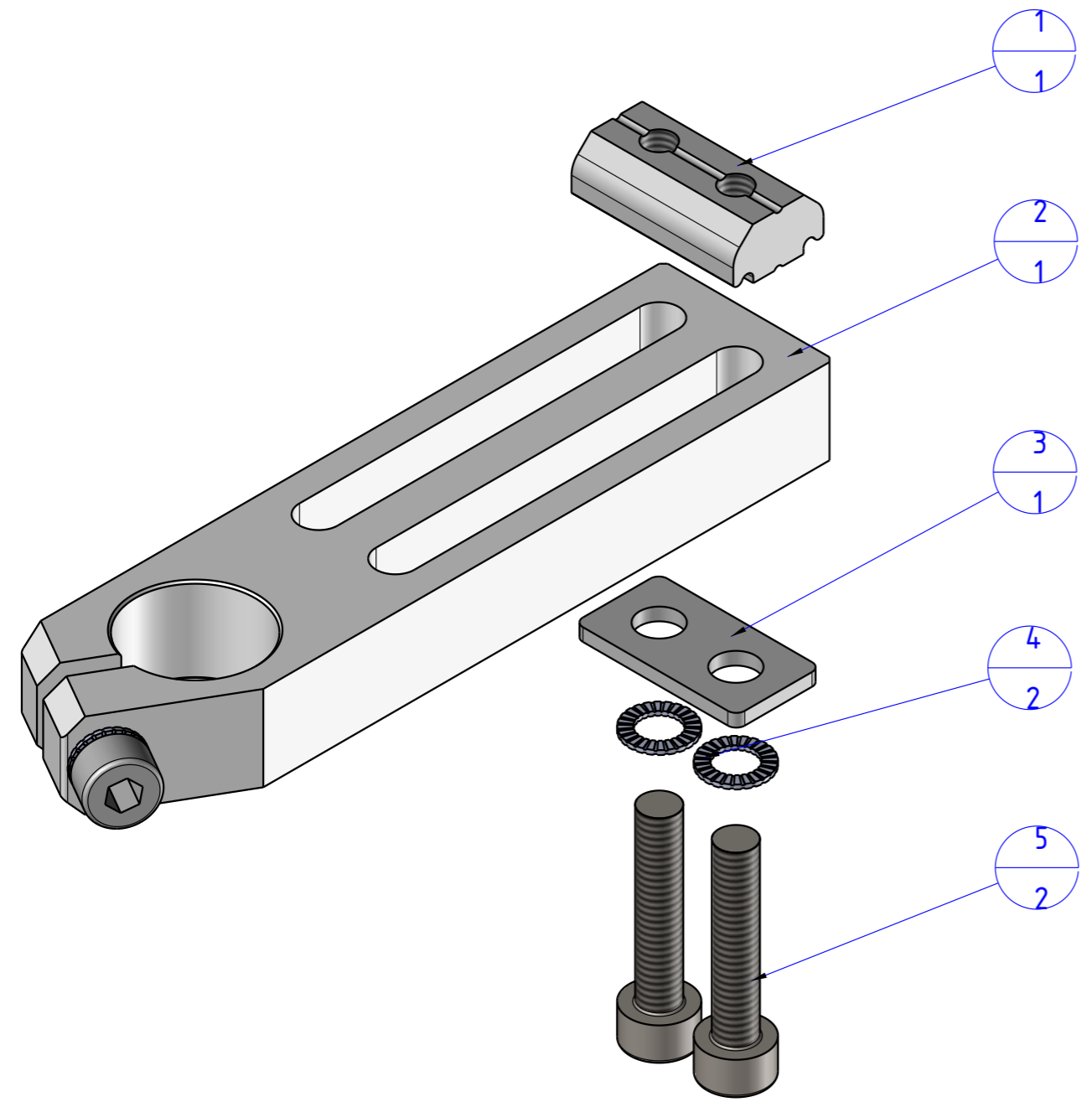



THE PROPERTY OF THE DRAWING IS ESTABLISHED BY LAW. IT IS FORBIDDEN TO PRODUCE OR SHOW IT TO THIRD PART. WITHOUT A WRITTEN AGREEMENT.

Item	Name	Q.ty
1	CA.GWP.4.9	1
2	CA.WSL.1440.VU	1
3	R.04.09	1
4	R.4.SCH	2
5	V.TCE4X20	2



Format A3  
UNI 936-76

 <b>FPS</b> FPSERVICES AUTOMATION		DESIGNED FROM		REVIEW
		FPS Automation		A
GENERAL TOLERANCE		DATE		WEIGHT
UNI - ISO 2768		01/03/2021		0,038kg
CLASSE f		CODE		
		CA.WSL.1440.VU.X		CA.WSL.1440.VU.X